

S-5!®

The Right Way!®



RibBracket I-V™

RibBracket I-V™

The RibBracket I-V series features five different brackets for use on exposed-fastened, trapezoidal rib metal roof profiles. These economical, sheeting-only attachments can be placed anywhere along the ribs.

PV System Mounting

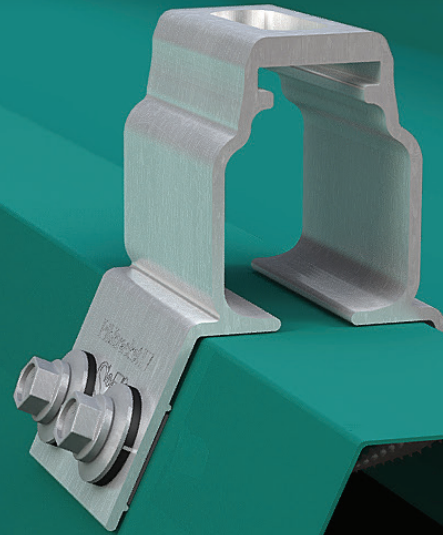
Designed to pair with the PVKIT® for (rail-less), solar PV mounting, RibBrackets offer flex-to-fit legs, ensuring proper fit on a variety of trapezoidal shapes.

Module and MLPE Flexibility

RibBracket I-V is not limited to the location of the building substructure, offering you infinite flexibility for module placement and can be used to mount microinverters and other module-level power electronics. Use the slotted top hole for space correction and to easily square up the modules.

Angled Attachments Convert Pull-Out to Shear Force

The RibBracket design offers you a substantially stronger mounting solution by placing fasteners in shear rather than pull-out – achieving holding strength 5 times that of direct pull-out fastening.



Features and Benefits:

- Flex-to-fit legs ensure proper fit
- Four attachment points for greater holding strength
- 1-inch slotted hole provides adjustability
- Large channel above rib for wire management
- Bracket allows 4 inches (100 mm) of air space (to glass) above roof

The right way to attach almost anything to metal roofs!

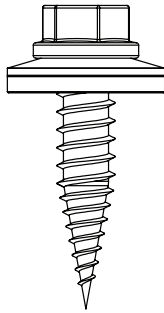
* Do not use RibBracket I-V to mount L-Foot attached rails.



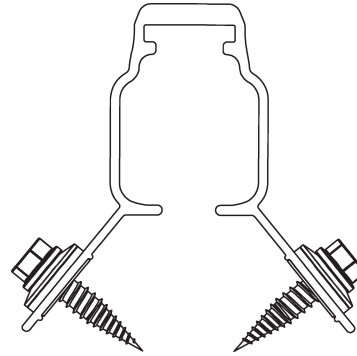
888-825-3432 | www.S-5.com |

RibBracket load path turns direct pull-out into shear.

Uplift Load in Pull-Out

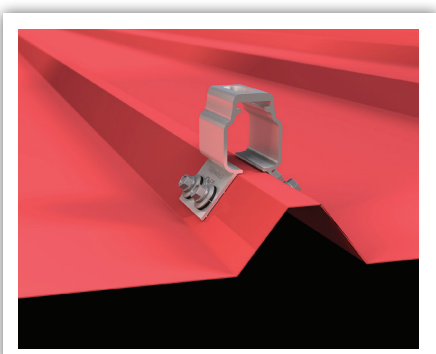


Uplift Load Path in Shear

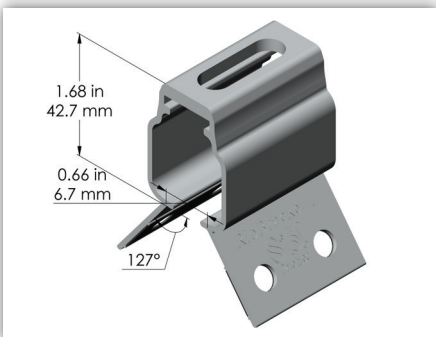
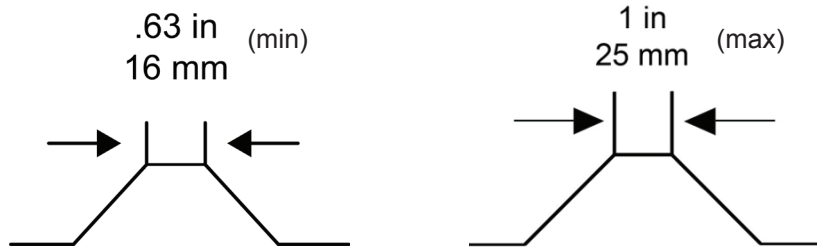


In the thin gauges of sheet metal from which exposed-fastened roofs are made, the pull-out strength of fasteners is considerably less than shear strength. **Shear strength can be utilized only with special bracket designs that convert direct force into shear force.**

RibBracket I

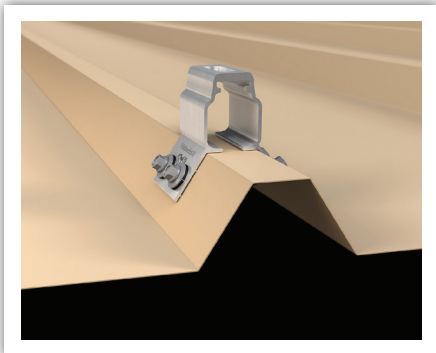


Compatible top rib dimension range:
.63 in to 1 in (16 mm to 25 mm)



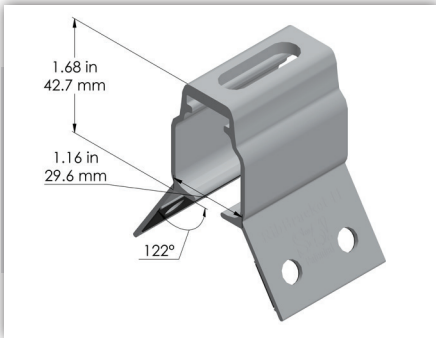
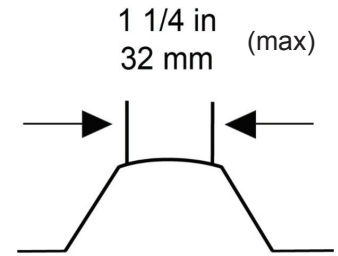
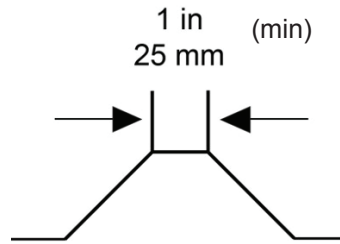
Designed for popular Hawaiian profiles, such as HPM Custom 4-Rib, HPM Custom 6-Rib, and similarly-dimensioned narrow ribs.

RibBracket II



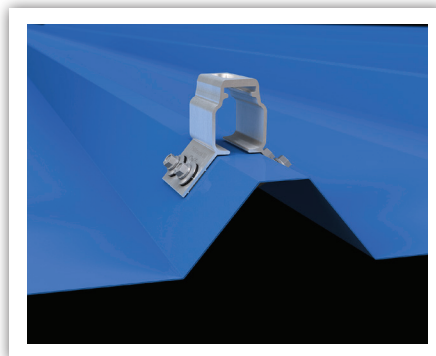
Compatible top rib dimension range:

1 in to 1 ¼ in (25 mm to 32 mm)



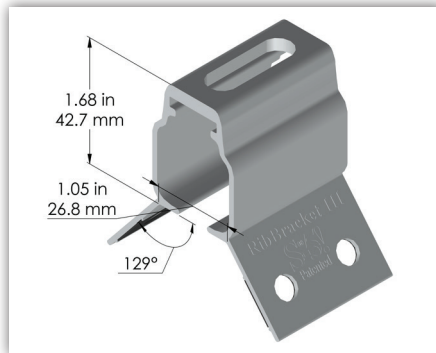
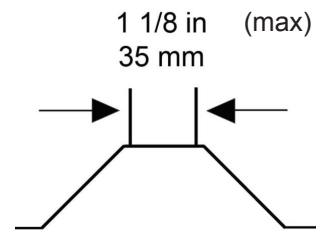
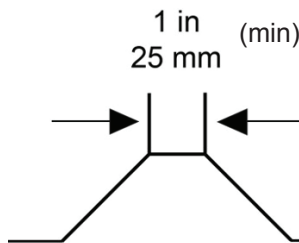
Designed for popular African and Australian profiles, such as Lysaght Trimdek[®] 1015, Safintra Trimflute 1015, and similarly-dimensioned profiles.

RibBracket III



Compatible top rib dimension range:

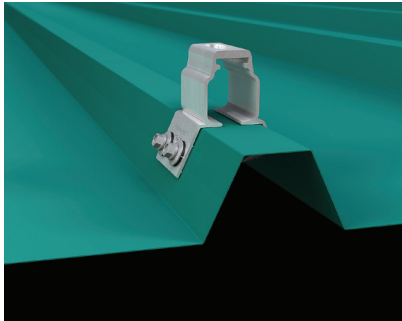
1 in to 1 ⅛ in (25 mm to 35 mm)



Designed for popular North American and Indian profiles, such as PBR Panel, R-Panel, Kirby Roof (KR), and similarly-dimensioned profiles.

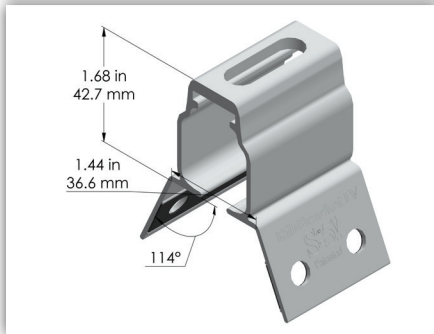
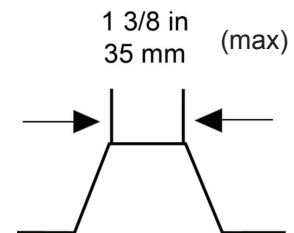
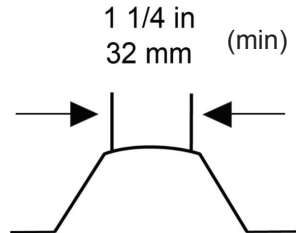
A structural aluminum attachment bracket, RibBracket I-V is compatible with most common metal roofing materials and most trapezoidal rib profiles found worldwide.

RibBracket IV



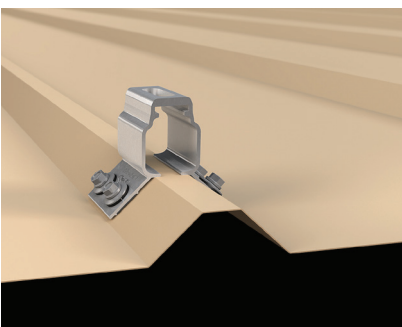
Compatible top rib dimension range:

1 ¼ in to 1 ⅜ in (32 mm to 35 mm)



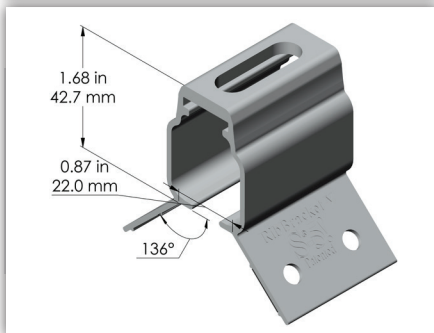
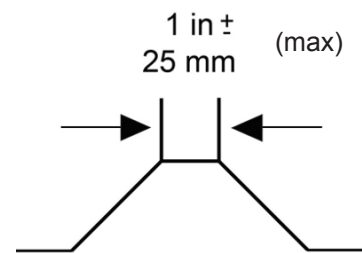
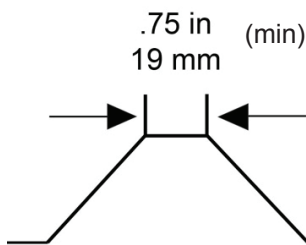
Designed for popular African and North American profiles, such as Saffintra IBR, KingSpan® KS1000, and similarly-dimensioned profiles.

RibBracket V



Compatible top rib dimension range:

.75 in to 1 in (19 mm to 25 mm)



Designed for Ternium TR-101 and similarly-dimensioned profiles.