

S-5![®]

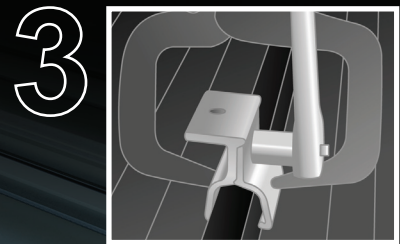
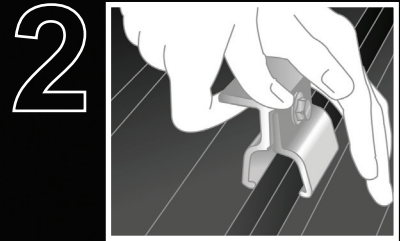
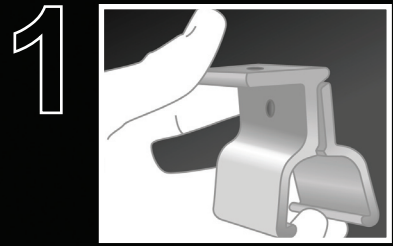
The Right Way!

S-5-K700 Clamp

The S-5-K700 clamp was designed with patented S-5![®] zero penetration technology for application needs with the very distinctive roof profiles of Stramit Speed Deck Ultra[®], Lysaght Klip-Lok 700 Hi-Strength[®], Fielders KingKlip[®] 700 and roofing types with similar profiles.

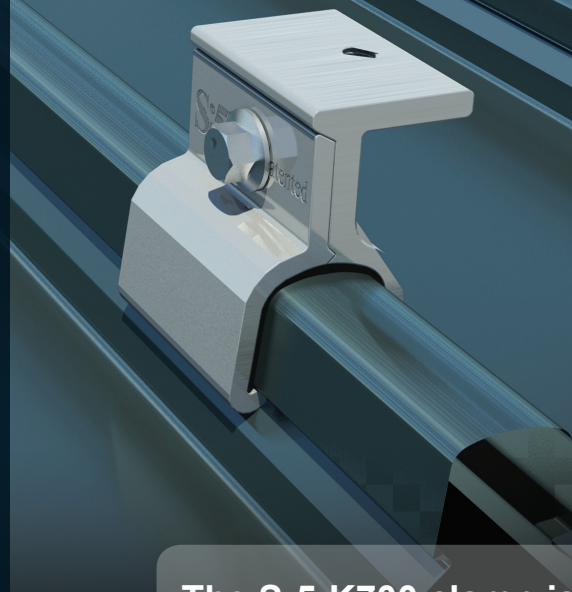
For load critical applications such as attaching solar panels, the assembly should be specifically engineered to each individual project to ensure maximum hold. See www.S-5.com for full details.

Installation is as simple as mating the clamp halves and starting the M8 bolt. Position clamp on seam and tighten the M8 bolt with a ratchet or electric tool while securing the clamp with a locking C-clamp.



S-5-K700

The right way to attach almost anything to metal roofs!



The S-5-K700 clamp is designed for the Stramit Speed Deck Ultra[®], Lysaght Klip-Lok 700 Hi-Strength[®], Fielders KingKlip 700[®] and roofing types with similar profiles.

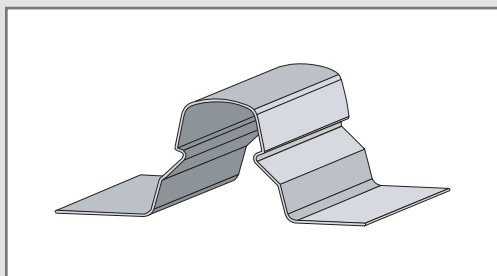
888-825-3432 | www.S-5.com

The strength of the S-5-K700 clamp is in its simple design. The mating halves do not pierce the metal seam material—leaving roof warranties intact.

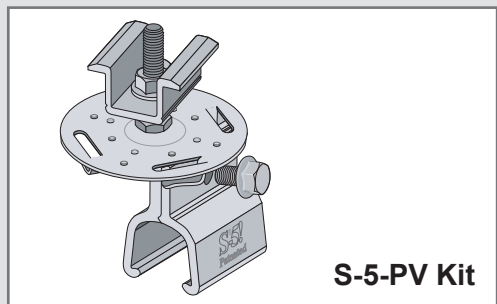
The **S-5-K700** clamp is furnished with the hardware shown to the right. A structural aluminum attachment clamp, the S-5-K700 is compatible with most common metal roofing materials excluding copper. All included hardware is stainless steel. Please visit www.S-5.com for more information including CAD details, metallurgical compatibilities and specifications.

The S-5-K700 clamp has been tested for load-to-failure results on relevant profiles from leading manufacturers of panels. The independent lab test reports found on our website at www.S-5.com prove that S-5![®] holding strength is unmatched in the industry.

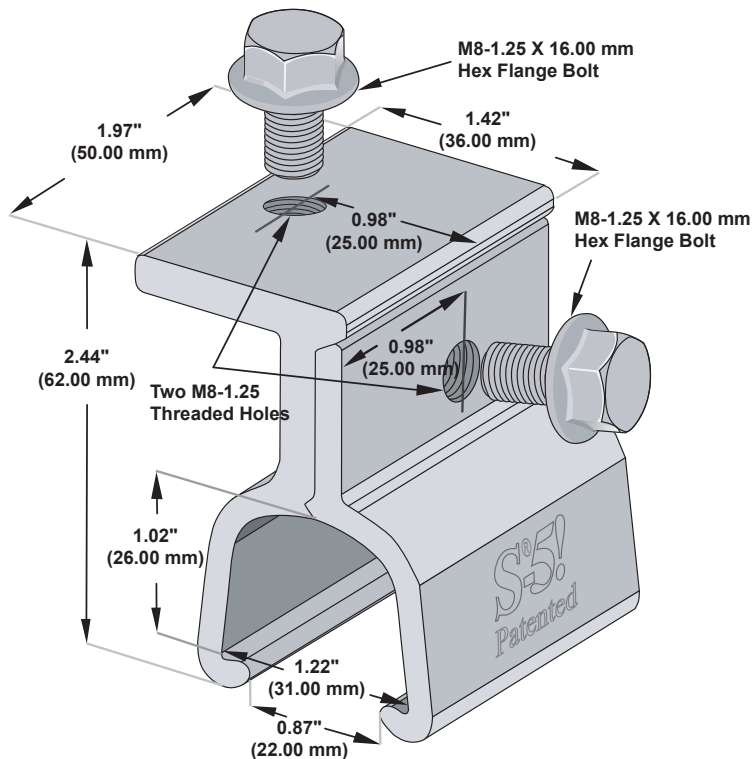
Example Profile



Example Application



S-5-K700 Clamp



Please note: All measurements are rounded to the second decimal place.

S-5![®] Warning! Please use this product responsibly!

Products are protected by multiple U.S. and foreign patents. For published data regarding holding strength, fastener torque, patents and trademarks visit the S-5! website at www.S-5.com.

Copyright 2013, Metal Roof Innovations, Ltd. S-5! products are patent protected. S-5! aggressively protects its patents, trademarks, and copyrights. Version 111813.

Distributed by