



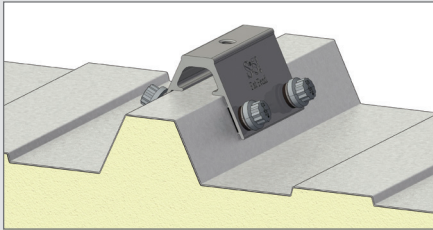
# S-5!<sup>®</sup>

The Right Way!

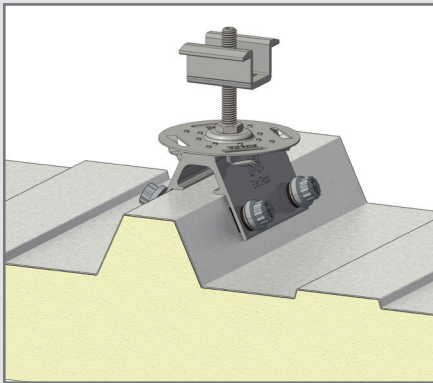
TrapBracket™ is the perfect attachment solution for specific trapezoidal exposed-fastened metal roofs! It can be used for almost any attachment need. No messy sealants to apply. The factory-applied EPDM rubber gasket weather-proofs and makes installation easy!

Each TrapBracket™ comes with a factory-applied EPDM rubber gasket on the base. A structural aluminum attachment bracket, TrapBracket is compatible with most common metal roofing materials. For design assistance, ask your distributor, or visit [www.S-5.com](http://www.S-5.com) for the independent lab test data that can be used for load-critical designs and applications. Also please visit our website for more information including metallurgical compatibilities and specifications. S-5!<sup>®</sup> holding strength is unmatched in the industry.

## Example Applications

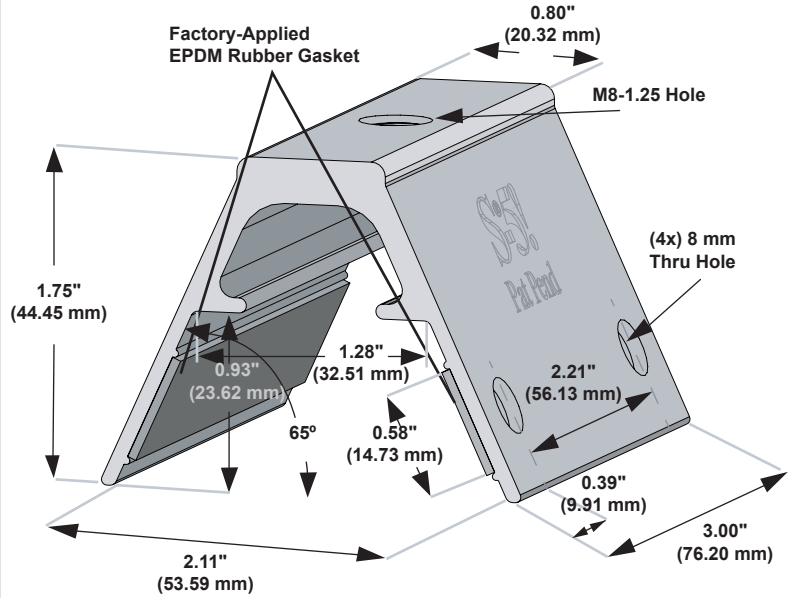


All 4 punched holes must be used to achieve tested strength. Due to varied applications, mounting hardware is not furnished with part.

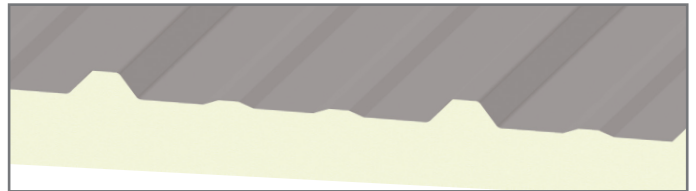


The above illustration demonstrates the TrapBracket with the S-5-PV Kit attached.

## TrapBracket™



## Example Profile



### S-5!<sup>®</sup> Warning! Please use this product responsibly!

Products are protected by multiple U.S. and foreign patents. For published data regarding holding strength, bolt torque, patents and trademarks visit the S-5! website at [www.S-5.com](http://www.S-5.com).

Copyright 2014, Metal Roof Innovations, Ltd. S-5! products are patent protected. S-5! aggressively protects its patents, trademarks, and copyrights. Version 100914.

Distributed by