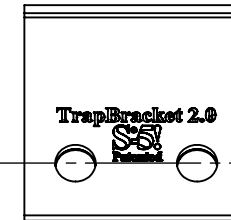
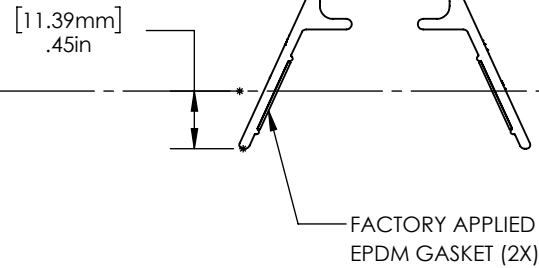
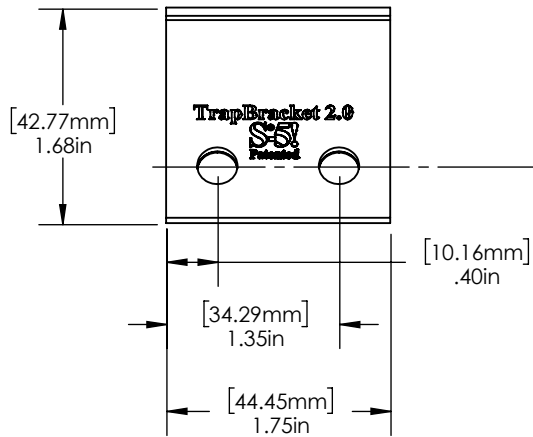


LEFT

FRONT

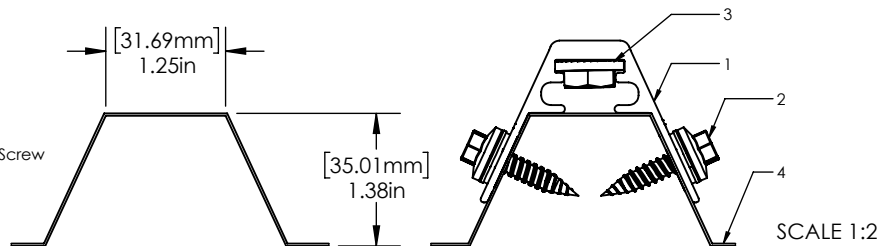
RIGHT

SCALE 1:1




General Notes

1. TrapBracket 2.0
2. 1/4" Diameter 1" Length 5/16" Hex Piercing Screw
3. M8 Hex Flange Nut
4. Panel Sample



FOR STANDING SEAM SPECIFIC MECHANICAL LOAD TEST INFORMATION AND CLAMP INSTALLATION INFORMATION PLEASE VISIT: WWW.S-5.COM

MATERIAL: 6005A T61			METAL ROOF INNOVATIONS, LTD. 8655 TABLE BUTTE RD COLORADO SPRINGS, CO 80908 719-495-0518 719-495-0045(FAX)	
EST ASSEMBLY WEIGH				
SUPPLIED HARDWARE: M8-1.25 Flange Nut (4x) 1/4"-1" Stainless Steel Self-Tapping Screw with 5/16" Hex Head	TITLE TrapBracket 2.0 [CCD]			
SCALE: 2:3	DRAWING NO. ST75-A-0-A-A	DRAWN BY Jesse Winternitz	DATE 4/27/2018	
WEIGHTS: Bracket: Screw: 0.0180 lbs Nut: 0.0145 lbs	S-5!® PRODUCTS ARE PROTECTED BY MULTIPLE U.S. PATENTS INCLUDING 5,228,248, 5,983,588 AND 6,164,033 (OTHERS ISSUED AND PENDING). EUROPEAN PATENTS ARE ALSO APPLIED FOR AND PENDING UNDER THE PATENT COOPERATION TREATY WITH DIVISIONAL FILING RIGHTS RETAINED. METAL ROOF INNOVATIONS, LTD. (LICENSOR OF S-5!® TECHNOLOGY) AGGRESSIVELY PROSECUTES PATENT INFRINGEMENT.			